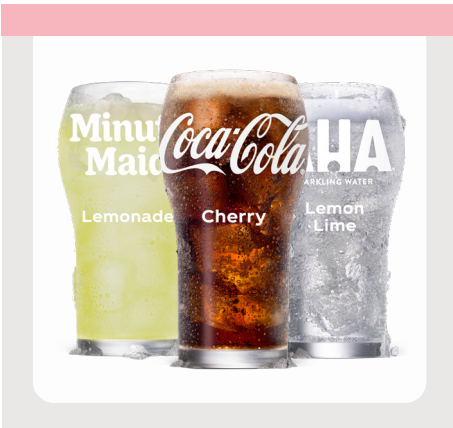


# flex

powered by freestyle

Suggested for fountain customers pouring 350 - 800 annual gallons



## THE NEXT GENERATION IN SELF-SERVE COUNTERTOP FOUNTAIN DISPENSING



### DELIGHTS GUESTS

Variety with 40+ drink choices & flavor options



\*Dr Pepper based on local market availability

Patented PurePour™ micro-dosing technology for high quality drinks.

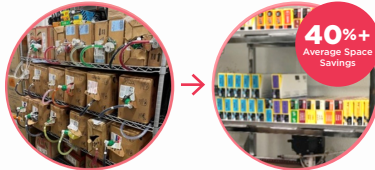


Mobile Pour for touchless dispensing



### ENHANCES OPERATIONS

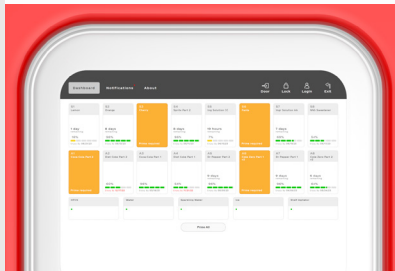
Backroom Savings



Traditional Bag-In-Box

Freestyle® Cartridges

Crew dashboard with cartridge usage status to prevent out-of-stocks



On-line ordering, training, user guides and more!



### DRIVES GROWTH

National marketing programs. Turn-key execution!



Freestyle® Increases Beverage Incidence

**Incidence Lift**

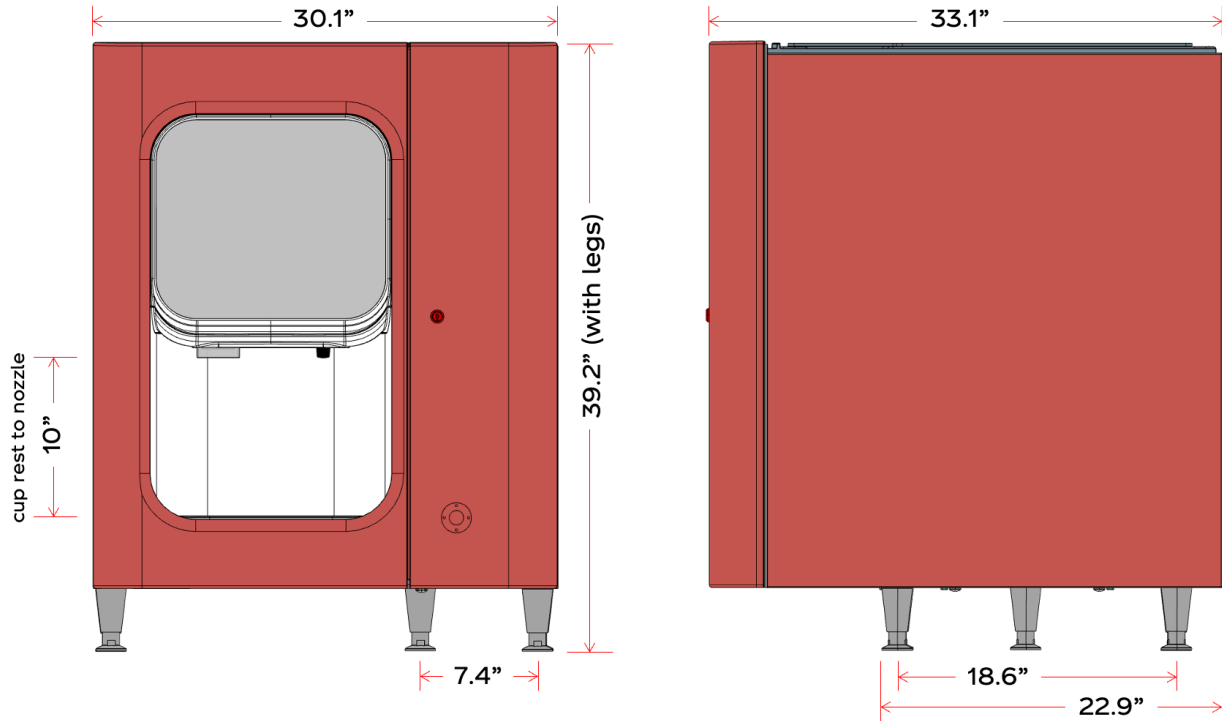
When Freestyle® is available, 3 to 5% more consumers buy beverages as part of their transactions\*

\*CBL NextGen Away from Home Occasions 12MMT June 2021

### QUESTIONS?

Contact your local Coca-Cola Account Manager for additional information

# Coca-Cola flex powered by Freestyle®



## DIMENSIONS

- With 4" Legs, Drain Pan (before IM adapter):  
W:30.1" x D: 33.1" x H:39.2"
- Legs are standard on Coca-Cola Flex and are not removable
- 5 legs total-one on each corner and middle to support weight

## WEIGHT

- 560 lbs (Fully Loaded)
- Add an additional 150-200 lbs. for top mount ice maker

## CLEARANCE

- Minimum Counter Depth: Without ice maker: 24"
- Minimum Counter Depth: With ice maker: 24-28"
- Right side (product door): 3", Rear: 0-4" (based on ice maker requirements)
- Allow 3" of additional height for ice adapter plate

## ELECTRICAL

- Dispenser: 115 Volt / 20 Amp (Grounded receptacle within four (4) feet of dispenser)
- Water Booster: 115 Volt / 15 Amp (Grounded receptacle within four (4) feet of water booster)
- Never plug dispenser or water booster into a GFI protected outlet or circuit

## WATER

- 1/2" dedicated copper supply line with a separate shutoff valve must be located within six feet of the water booster and filtration system. Shutoff should end with a 1/2" I.D. female pipe fitting or a 3/8" O.D. male flare fitting or a 3/8" compression fitting
- Ambient or cold, un-softened water
- Minimum 40 psi @ 120 (gallons per hour) at dispensing system for incoming water pressure
- If the water pressure exceeds 100 psi, use a water regulator set at 80 psi

## WATER FILTRATION SYSTEM

- Water filtration system is recommended
- Water filter must meet NSF Standard 42

## ICE BIN CAPACITY

- Full Bin: 180 lbs
- Dispensable: 150 lbs
- Coca-Cola Flex is an ice combo unit. Ice options are manual fill or can be fitted with an ice maker\*

## SWEETENERS

- HFCS - BIB located outside of dispenser on BIB rack either under counter or in backroom (delivered with a G55 pump)
- NNS - SmartPak cartridge located inside the dispenser. It sits in a reusable tray in the number one or top slot of the cartridge shelf

## DRAINS

- 3" or larger floor drain be located within three feet of dispenser